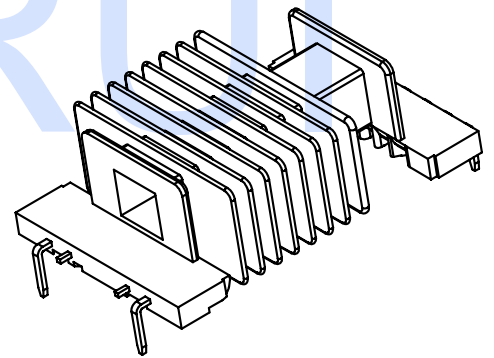
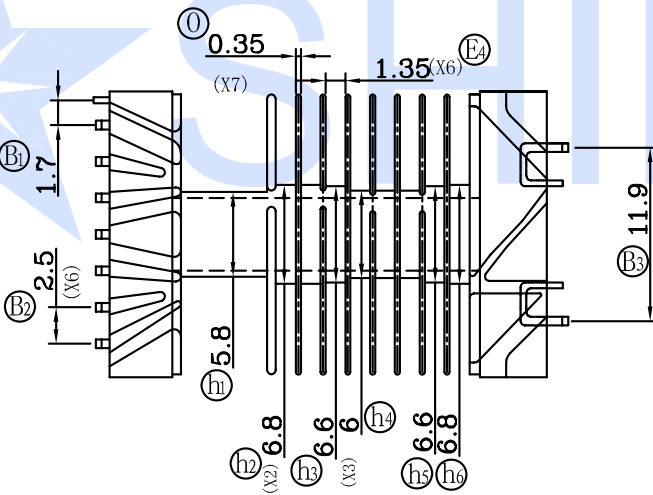
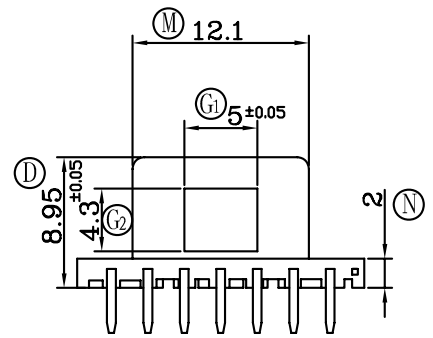
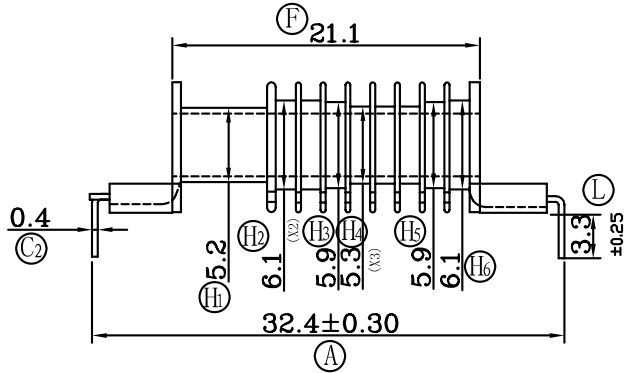
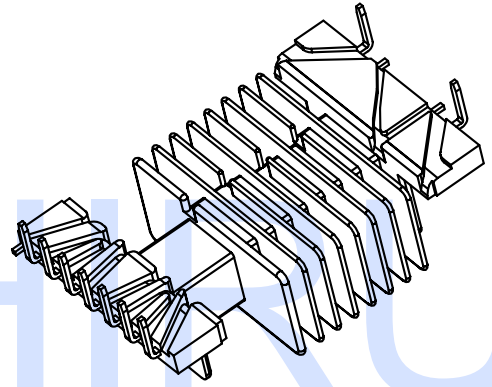
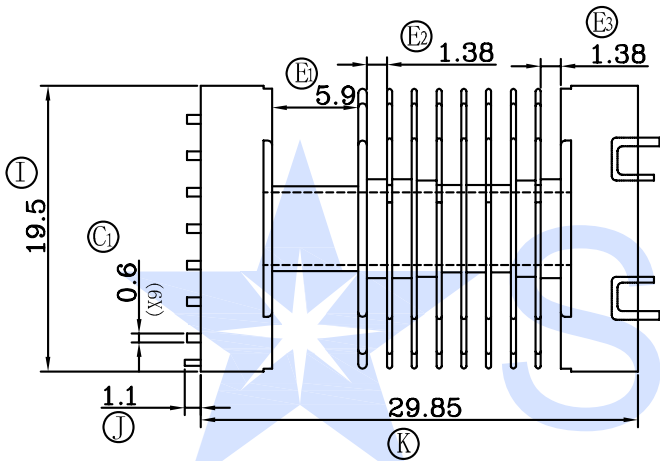


P/N
SR-SMD EEL1914-1



Hefei Shirui Electronic Technology Co.,Ltd

TEL:(0086) 55165232650

sales@shiruitech.com

www.shiruitech.com

SR NO. SR-SMD EEL1914-1	MATERIAL: LCP-E4008	UNIT: mm	TOLERANCE	DRN.	WILL H
MODEL NAME! EEL19-(2+7)-9S	UL REC: UL 94V-0		0 L 4 ±0.10	CHD.	IRINA LEE
	ANGLE: ±°		4 L 16 ±0.20	ISSD.	JAMES HU
	SCALE 1:1		16 L 64 ±0.30		
			PIN PITCH ±0.05		